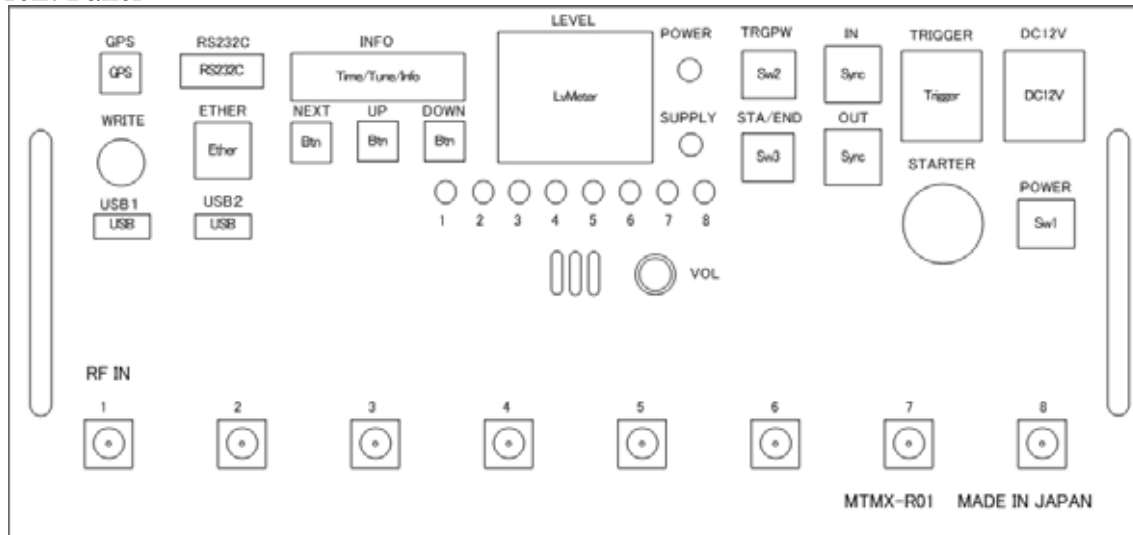


Specifications on Receiver

(Revision FILE)
MTMX-R 01

31 May 2005 Edition
Micro Talk Systems Corp.

Front Panel



Front Panel Switch

Description	Operation	Function
Power Switch	Toggle	Connect to electric power ON: Red lamp lighting
Trigger Switch	Toggle	Trigger Output OUT PUT: Red lamp lighting (Indication panel shows output level adjustment) (Out put can be done only when Measuring Switch is turned ON.)
Measuring Switch	Toggle	Measuring starts/ends Under measuring: Red lamp lighting
Writing Switch	Alternate	USB out put Under writing: Red lamp lighting
Volume	Adjustment by revolution	Adjustment of buzzer speaker sound volume
Description	Operation	Function
Time indication screen	7 segment	Setting, Indicating for out put of Time and Trigger. Indication of tag information
Level Meter	100 μ A	Indication of out put level
Power and voltage alarming lamp	Green/Red	Green: Not less than 12.6V Orange: 12.6~112V Red: Not more than 11.2V
Power supply indication lamp	Green/Red	Green: External power supply Red: Internal power supply
Reception lamp 1~8	Red	Lighting at the time of receiving
Speaker	---	Mono tone sound at the time of receiving Data

**Indication lamp
Connector**

Description	Function	Model
Power connector	Direct current power input	XLR-3-32-F77 (ITT CANNON)
Trigger connector	Trigger output	XLR-4-31-F77 (ITT CANNON)
Starter connector	Starter input	HS16R-2 (HRS)
Trigger synchronized input connector	Trigger signal input	RM12BRB-3PH (HRS)
Trigger synchronized output connector	Trigger signal output	RM12BRB-3S (HRS)
RS232C connector	Data output	DSUB9P
Ethernet connector	Data output	100BASE/T
USB connector	Data output At the time of modem connection In accordance with output type of RS232C, At the time of memory connection: Log file is output.	USB1 USB2
GPS connector	GPS antenna input	Connector GP5-1PP-HU(HIROSE)
Rx connector	Receiving antenna input	BNC-R

Model	MTMX-R01	
Power source	DC12V External/DC12V Built-in battery	
Built-in battery	PE12V2.2 manufactured by JAPAN STORAGE BATTERY CO., LTD.	
Consumption current	About 4A	
Weight	About 15 kg	
Outer dimension	W	535 mm
	D	373(410)mm (410 mm including projection)
	H	255 (278)mm (278 mm including projection)
Trigger transmitting frequency	93.75KHz	
Trigger output strength	Less than 8W (for high frequency utilization facility)	
Receiving frequency	304.2MHz, 309.9MHz, 314.26MHz	
Receiving method	Super Heterodine method	
Receiving sensibility	Less than 20 dBuV	
Input Impedance	50	
Number of receiving channels	8 channels	
GPS Receiver	CCA-45JP (manufactured by Japan Radio Corporation) equivalent	
GPS Antenna	NAY-3700G (manufactured by Japan Radio Corporation) equivalent	

Specifications on Antenna

Trigger Antenna	1 turn roll (1 m x 12 m standard).
Di-pole antenna	15D2V 1 Cable each of 6m,8m,10m,12m,14m,16m,18m,and 20m length.
Yagi Antenna of 6 terminals	3D2V 1 Cable of 10m length.
GPS Antenna	Connector GP5-1S-HU (Hirose) To be mounted by magnetic Power consumption: Not more than 20mA 15D2V Length of cable: 5m

Receiver Structure

